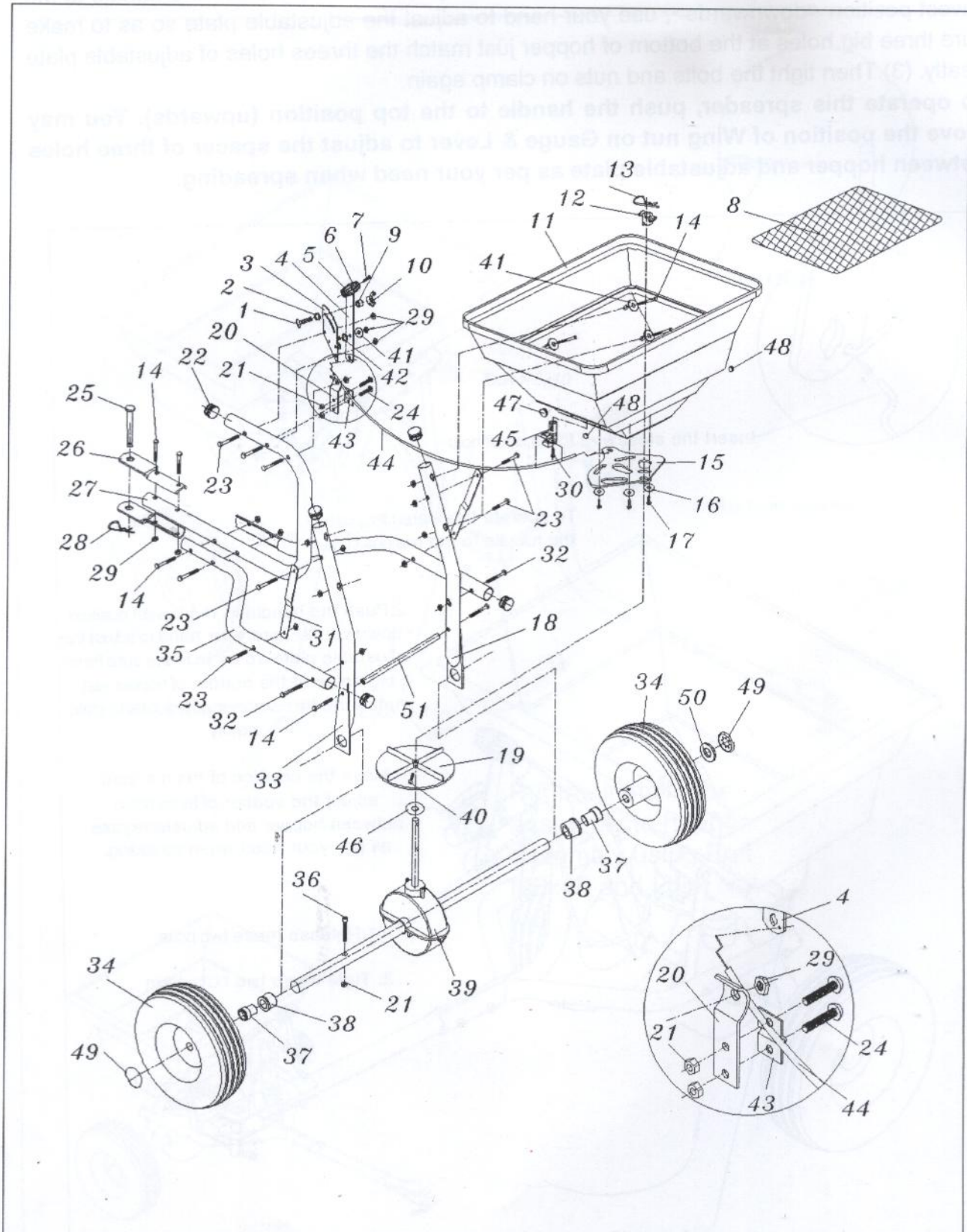


PARTS DRAWING



PARTS LIST

Ref#	Description	Qty	Ref#	Description	Qty
1	Bolt M6x25	1	27	Install Tube Assembly	1
2	Lock Washer Ø8	1	28	R Pin Ø3	1
3	Gauge & Lever Assembly	1	29	Lock Nut M6	18
4	Adjust Handle Pole	1	30	Screw Ø5X15	1
5	Adjust Handle A	1	31	Connect plate	2
6	Adjust Handle B	1	32	Bolt M6x50	2
7	Screw Ø4x18	1	33	Wheel Frame Assembly (Right)	1
8	Hopper Screen	1	34	Pneumatic Wheel	2
9	Spacer	1	35	Connect Rod	2
10	Wing Nut	1	36	Bolt M5x45	1
11	Hopper	1	37	Inner Axle Bushing	2
12	Center Cover	1	38	Outer Axle Bushing	2
13	R Pin Ø2	1	39	Gear Box & Axle Assembly	1
14	Bolt M6x40	10	40	Screw M4x20	1
15	Adjustable Plate	1	41	Big Flat Washer Ø6	5
16	Big Flat Washer Ø4	3	42	Nylon Washer	1
17	Screw Ø4x12	3	43	Line Clamp Press Plate	1
18	Wheel Frame Assembly (Left)	1	44	Control Rod	1
19	Impeller	1	45	Line Clamp A	1
20	Line Clamp Bottom Plate	1	46	Thin Washer	1
21	Lock Nut M5	3	47	Big End Cap	1
22	Tube End Cap	5	48	Small End Cap	2
23	Bolt M6x35	7	49	Axle End Cover	2
24	Bolt M5x10	2	50	Big Flat Washer Ø16	1
25	Round Head Pin	1	51	Fixing Connecting Rod	1
26	Tow Bar Connect Plate	2			